



TECHNICAL SPECIFICATIONS

SOLARIS™ SUPERHC7 Heritage

Freesuns Solar Roof tiles are powerful, beautiful and sustainable.

Every Freesuns roof generates carbon-emission-free solar power creating a return on investment for building owners and a stunning roof for their building.



Suitable for new and existing buildings, historic structures and replacing slate tiles.

Powerful

Freesuns Solar Roof tiles contain photovoltaic cells that convert sunlight into clean energy. Our solar tiles provide maximum photovoltaic coverage for optimal energy production on all types of roofs.

Beautiful

Freesuns Solar Roof tiles are available in a wide range of colours and finishes, suitable for both modern and traditional architecture. This allows the production of solar energy without compromising the aesthetics of the building.

Flexible

Our small format tiles, pre-cut in different shapes, allow you to accommodate roof obstacles such as windows and chimneys, adapt to complex roof shapes and thus guarantee maximum coverage of photovoltaic cells.

Safe

The design of our tiles significantly reduces the risk of fire thanks to a diode present in each tile, a high thermal mass, and monitoring by power optimizers.

Return on Investment

By generating a portion of your energy needs for free, the Freesuns Solar Roof has a positive return on investment and will pay for itself over its lifetime - unlike a traditional roof.

Designed in Switzerland

Freesuns Solar Roof tiles are designed and developed in Switzerland.



Detailed Engineering

With its state-of-the-art software, Freesuns provides a detailed layout of each roof, showing how to install each tile with precision.

Easy to install

The tiles are installed by traditional roofers on existing roof structures with existing fixtures.



TECHNICAL SPECIFICATIONS

SOLARIS™ SUPERHC7 Heritage

Physical specifications

Dimension of the tile (L x H mm)	- 690 x 510 mm
Surface of the visible area (L x H mm)	- 690 x 200 mm
Thickness of the tile	- 8.5 mm
Number of half cells per tile	- 7
Number of tiles per m ²	- 7.14
Power per m ²	- 141 Wp
Unit weight	- 7.3 kg
Weight per m ²	- 52.2 kg
Cell Type	- Half-cut cell M10 PERC
Connector type (Stäubli)	- MC4-Evo 2 (IP68)
Type of glass	- Anti-reflective tempered glass (front/back)
Hail resistance	- HW4
Max. test load (Incl. safety factor of 1.5)	- 13 333 Pa

Electrical specifications

Bypass diode per tile	- 1
Power per tile (Pmpp)	- 19.7 Wp
Voltage (Umpv)	- 3.99 V
Current (Impp)	- 4.94 A
Open Circuit Voltage (Voc)	- 4.85 V
Short Circuit Current (Isc)	- 5.19 A
Tile efficiency	- 14.28 %
Electrical measures tolerances	- +/- 5 %
Max. system voltage	- 1000 V
Max. reverse current	- 20 A
Temperature coefficient (Voc)*	- -0.36 %/K
Temperature coefficient (Isc)*	- +0.07 %/K
Temperature coefficient (Pmpp)*	- -0.38%/K

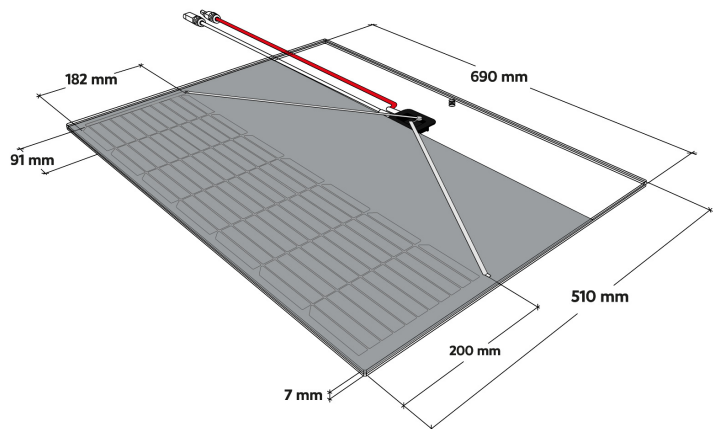
* Measured coefficients for the cells. Electrical performance characteristics under STC conditions (1000 W/m², 25° C, AM 1.5).

Appearance

- Matt grey
- Anti-reflection coating (AR)

Warranties and Certifications

- 10 years on the tiles
- Minimum power guarantee: 90% after 10 years
- Weather resistance guarantee: 40 years
- Certification IEC 61215
- Certification IEC 61730



Data subject to change